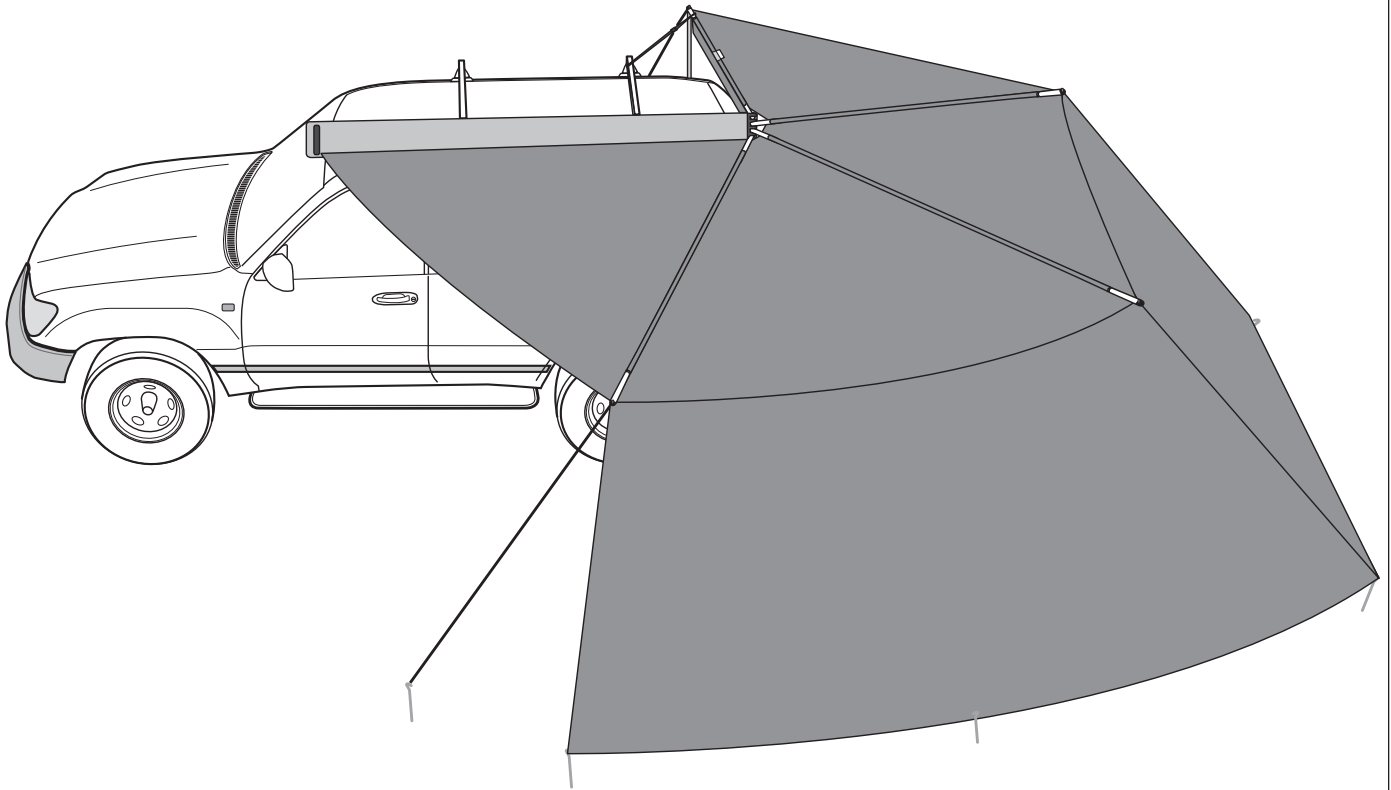




# RHINO-RACK

## 31112 Rhino-Rack FOXWING Zippered Extension

**Important:** Please read these instructions carefully prior to installation.  
Check the contents of kit before commencing fitment and report any discrepancies.  
Place these instructions in the vehicle's glove box after installation is complete.



**Note :** The poles and ropes must always be used when the FOXWING awning is open

**This kit is to be used in conjunction with the Rhino-Rack Foxwing Awning**

### Important Information

**Please remove FOXWING Awning and crossbars when putting vehicle through an automatic car wash.**

#### Note for Dealers and Fitters

It is your responsibility to ensure that this fitting instruction is given to the end user or client.

Rhino-Rack  
3 Pike Street, Rydalmere,  
NSW 2116, Australia.  
(Ph) (02) 9638 4744  
(Fax) (02) 9638 4822

Document No: R189  
Prepared By: Andy Wana  
Authorised By: Chris Murty

Issue No: 01  
Issue Date: 13/04/2012

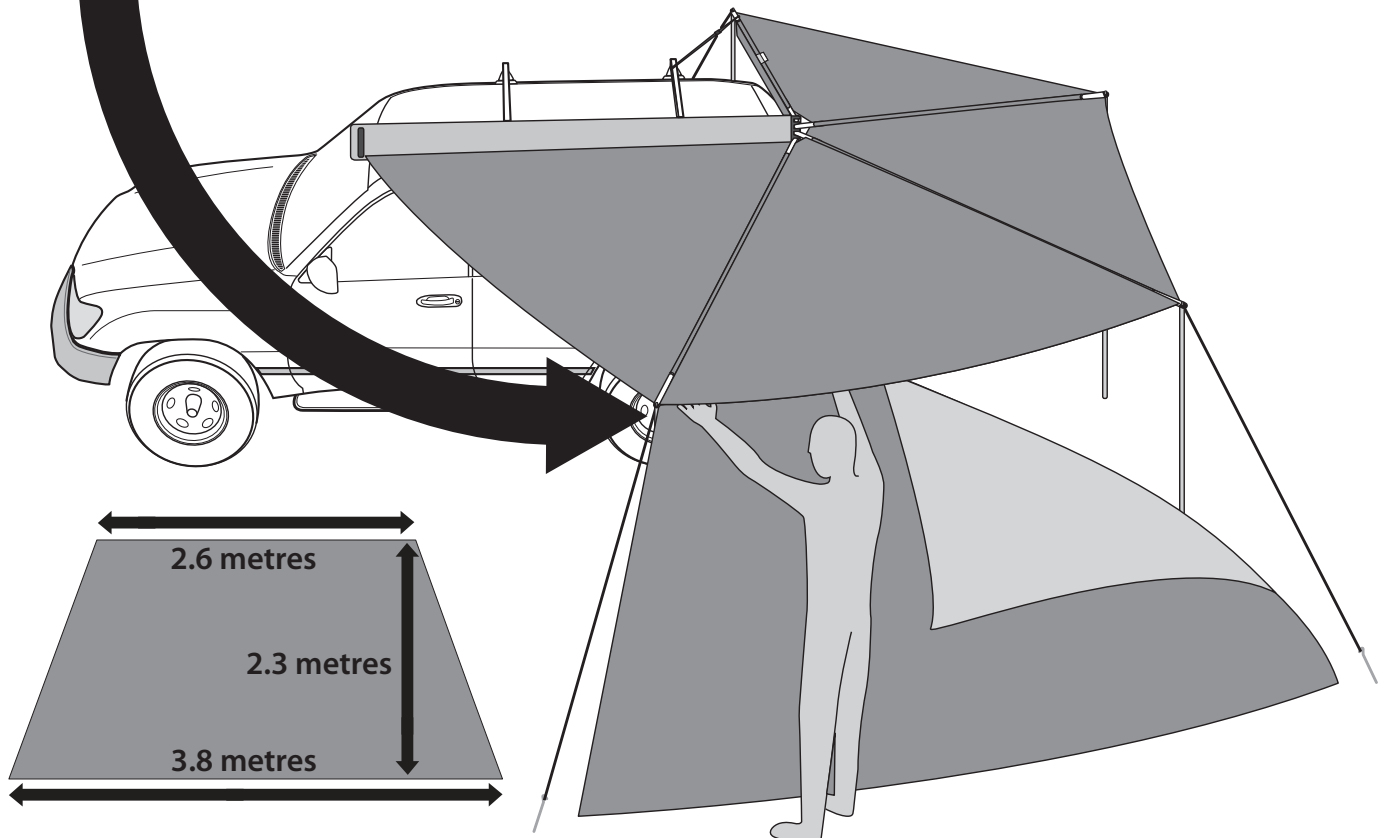
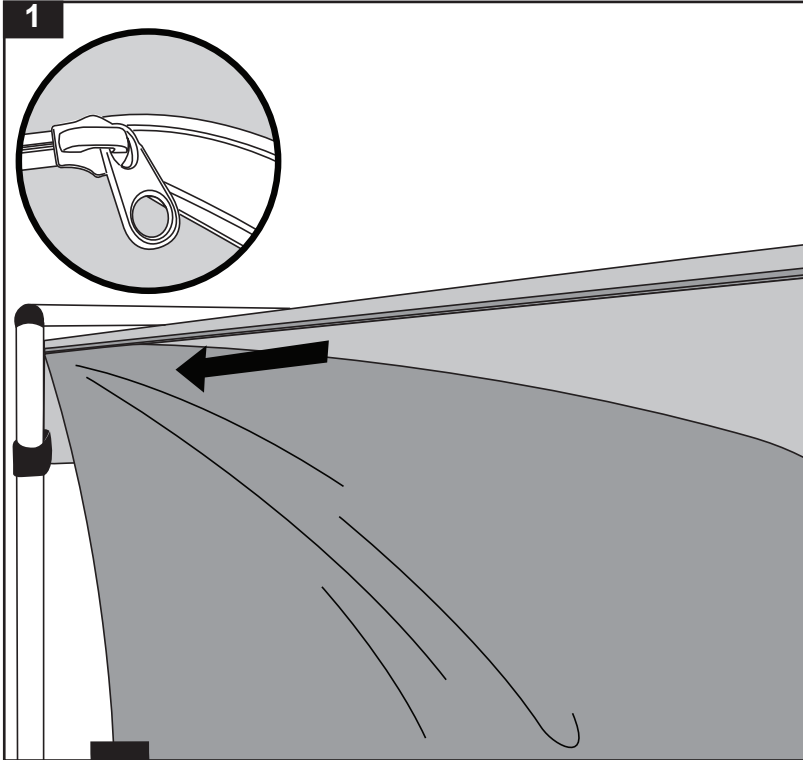
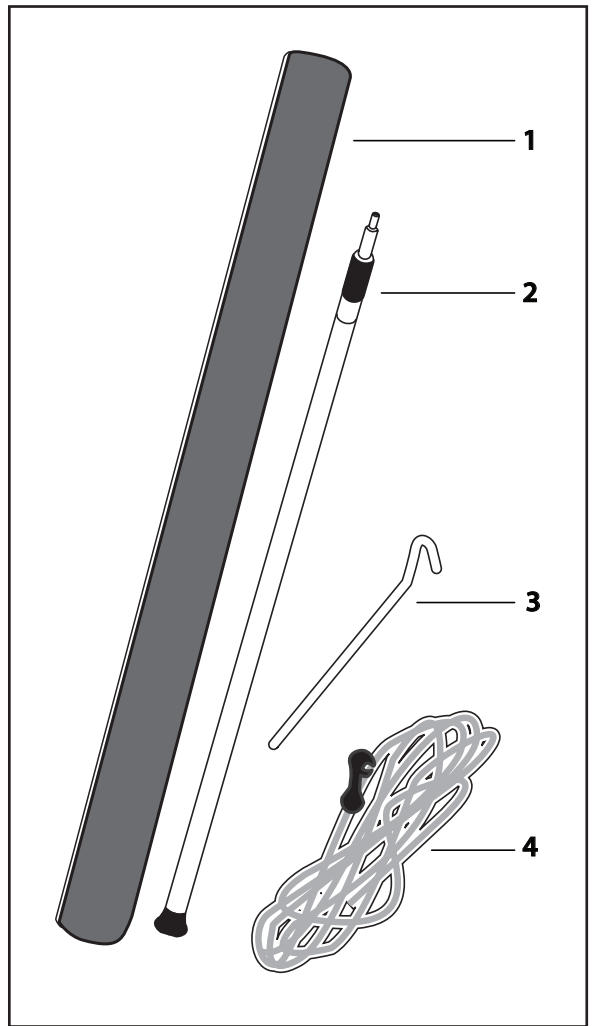
These instructions remain the property of Rhino-Rack Australia Pty Ltd and may not be used or changed for any other purpose than intended.



# Rhino-Rack FOXWING Zippered Extension

## Parts List

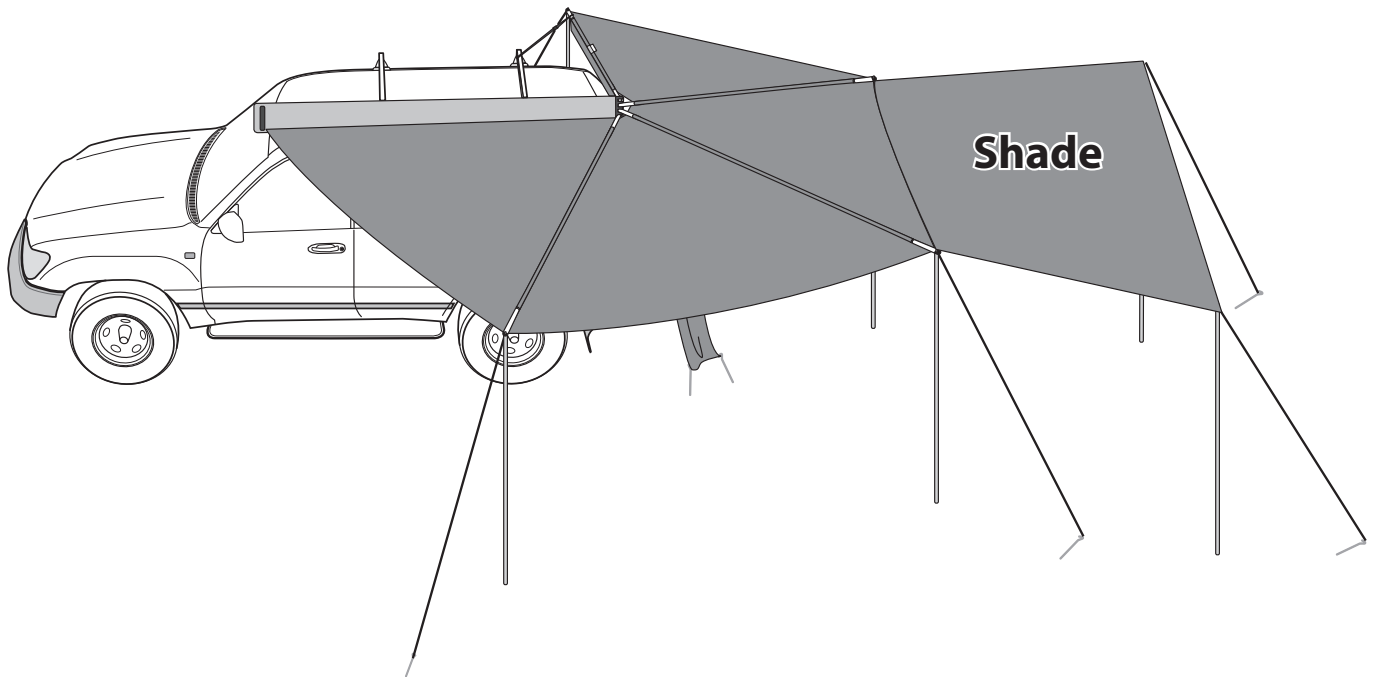
Item	Component Name	Qty
1	FOXWING Zippered Extension (inc. carry bag)	1
2	Telescopic Poles	2
3	Metal Pegs	3
4	Guy Ropes	3
5	Fitting Instruction	1





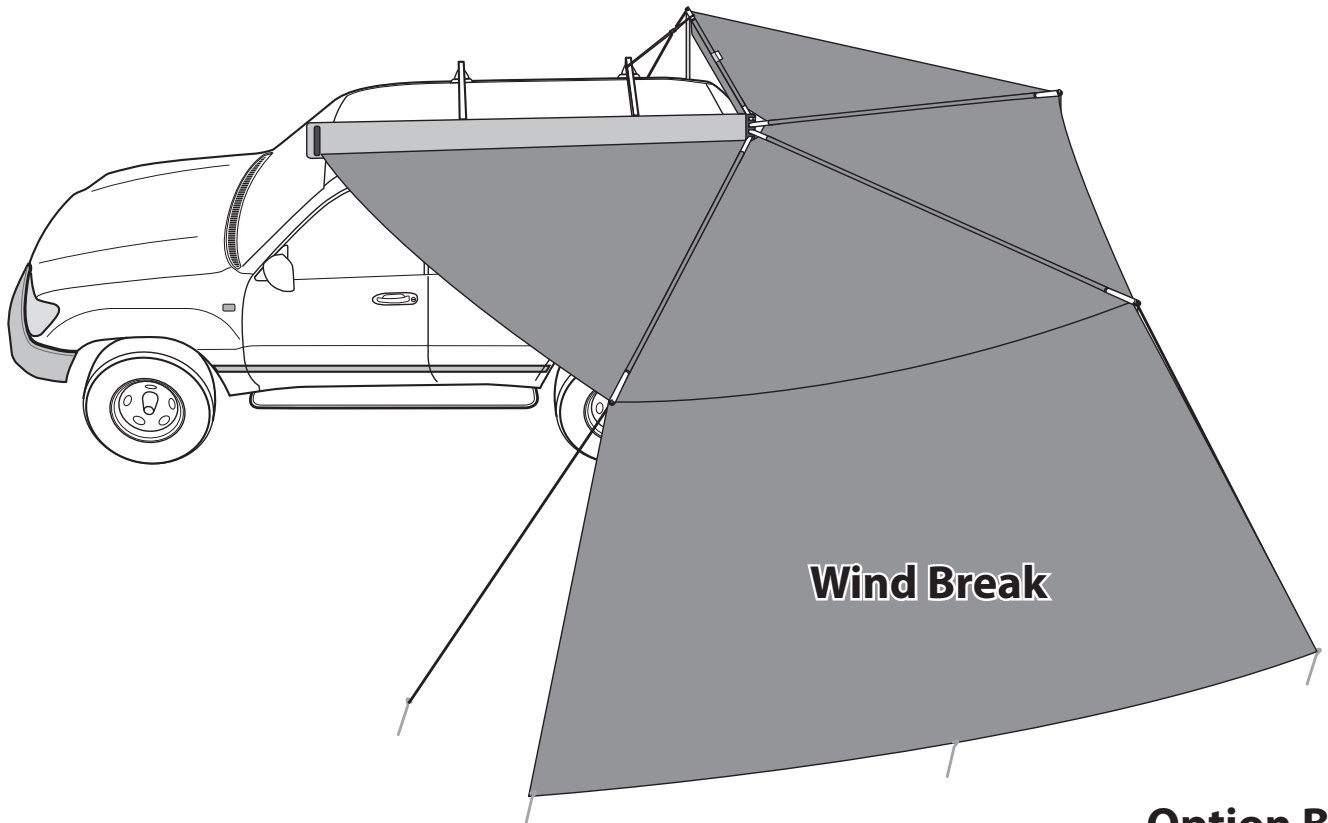
## Rhino-Rack FOXWING Zippered Extension

2



**Option A**  
Can be installed to any of the 4 awning sections

3

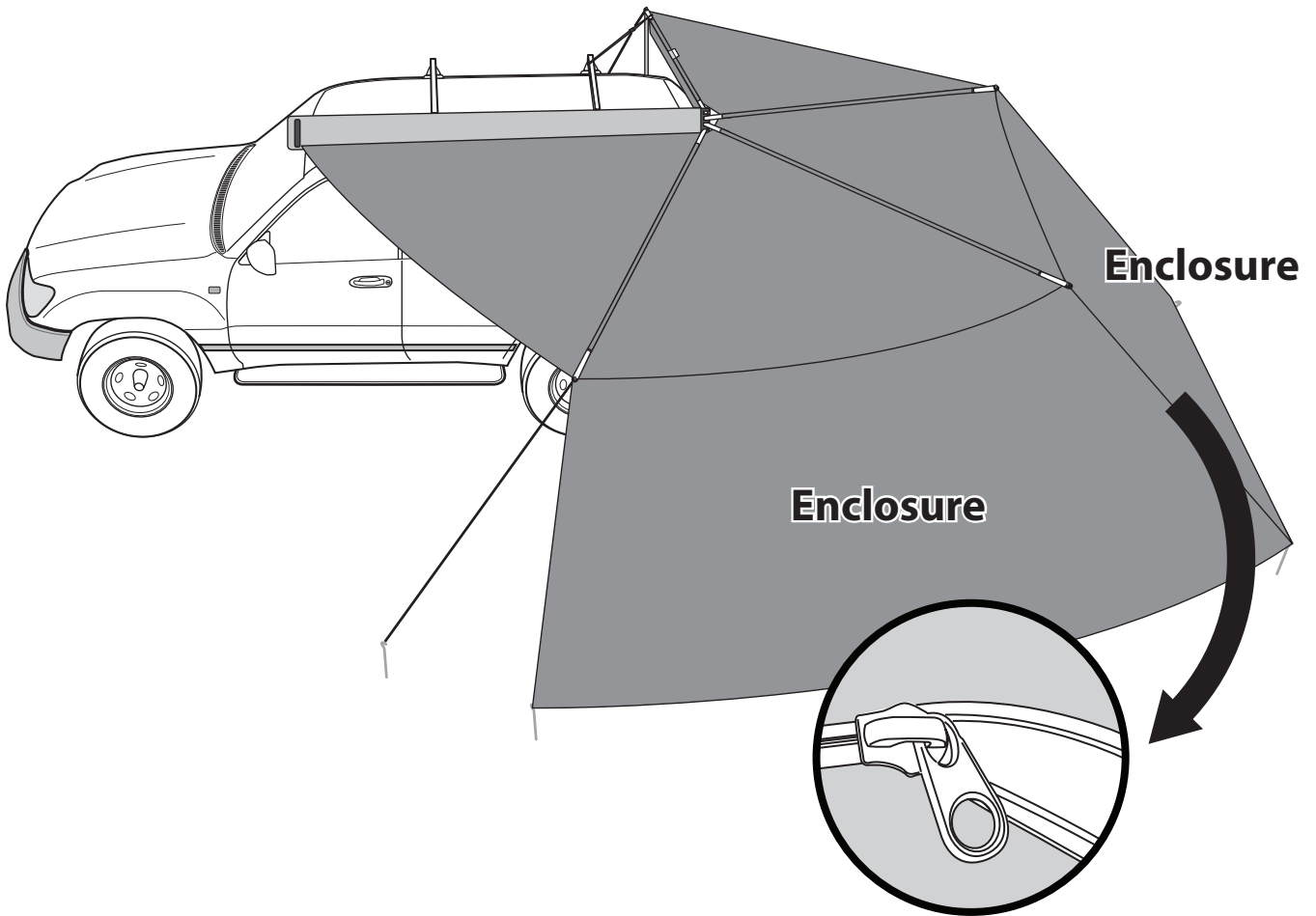


**Option B**  
Can be installed to any of the 4 awning sections



## Rhino-Rack FOXWING Zippered Extension

4



**Option C**  
Can be installed to any of the 4 awning sections

5

Place the FOXWING Awning Extension kit in the supplied bag when not in use. Store the bag inside your vehicle when traveling.

